

SEWAGE Guide Rail

USE :

The guide rail facilitate maintenance operations, allowing you to remove the pump without draining the tank

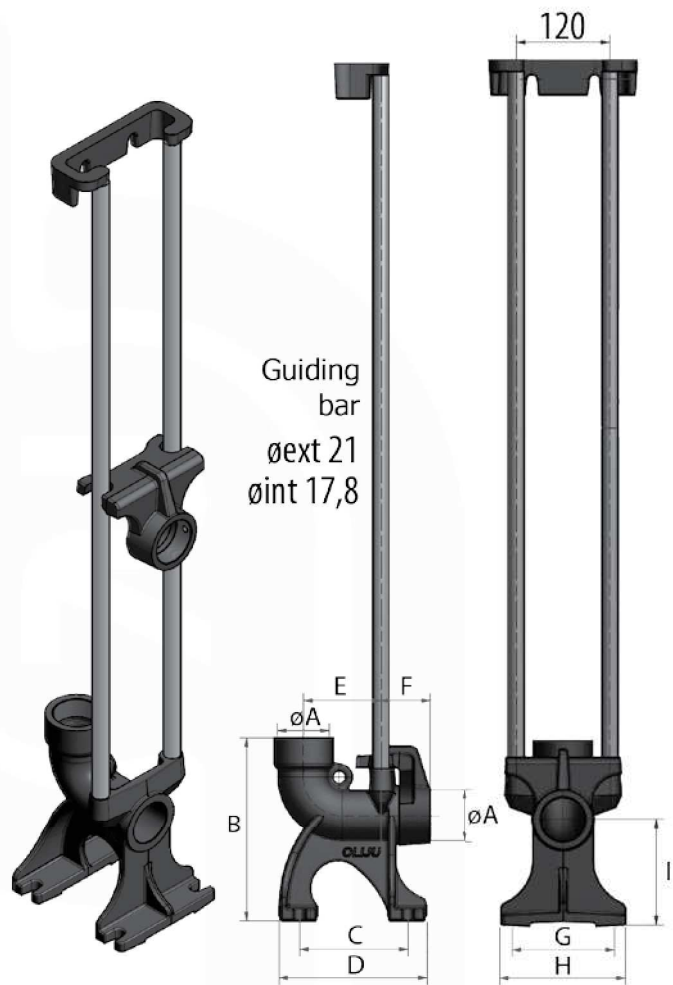
FEATURES :

Cast iron
rubber seals

For pumps
horizontal
outlet

Guide rail

Guide



Type	Dimensions (mm)								
	ø A	B	C	D	E	F	G	H	I
Guide Rail 50	2"	235	140	190	100	63,5	130	160	135
Guide Rail 65	2" ½	285	166	220	119	68	150	180	165
Guide Rail 80	3"	298	174	229	119	68	180	210	175

Type	Code
Guide Rail 50 (without the guide bars) for sewage pumps passage ø 50	01950934
Guide Rail 65 (without the guide bars) for sewage pumps passage ø 65	01950935
Guide Rail 80 (without the guide bars) for sewage pumps passage ø 80	01950957