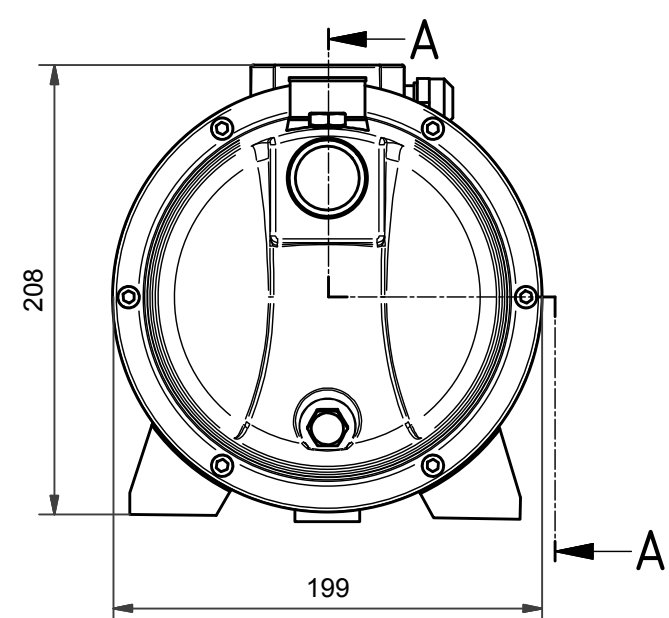
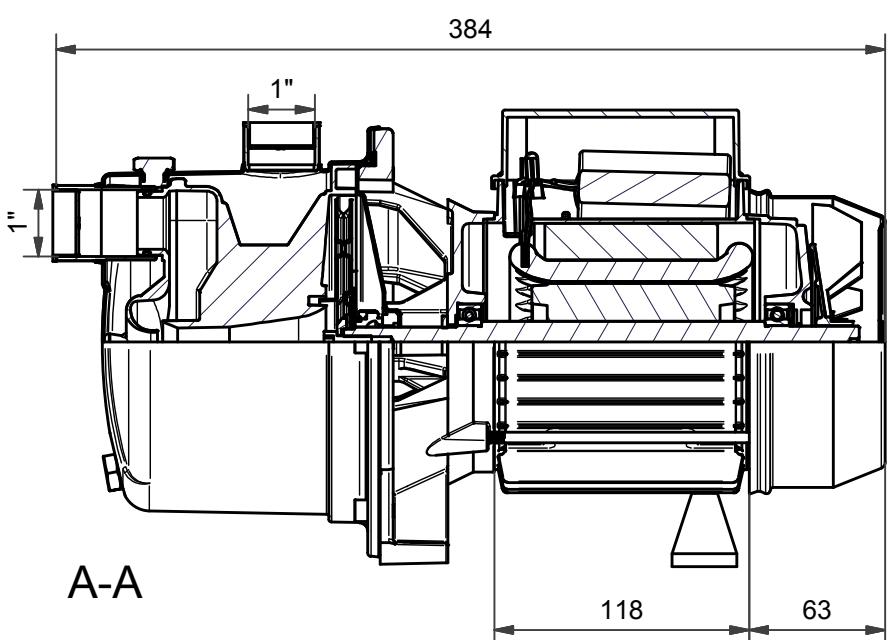


Pos.	Nº do desenho	Designação	Qt.	Material	Dimensões	Peso/Unid.
1	01220755	Housing With Stator Block Jet (110x55H80)	1			5,287 kg
2	01190211	Ring M4 DIN 6798	1	Galvanized steel		0,000 kg
3	01190029	Screw M3.9 X 9.5 DIN 7981 Head Cheese	1	Galvanized steel		0,001 kg
4	01230238	Connector 4 mm	1			0,002 kg
5	01190084	Screw M3.9 X 16 DIN 7981	1	Galvanized steel		0,002 kg
6	01260079	Condenser C.P. 20 With Simple Terminal	1			0,068 kg
7	01240135	Connection Box	1	Plastic		0,094 kg
8	01190043	Screw M3.5 X 13 DIN 7981 Head Cheese	4	Galvanized steel		0,001 kg
9	01220766	Rotor w/ Shaft Jet	1			1,831 kg
10	01170146	Bearing 6202-2Z/C3	2	Steel		0,048 kg
11	01240143	Cover Rear Family 71 Without Thread With Rip	1	Aluminum		0,203 kg
12	01210034	Ring Compensation Diam. 35	1	Steel		0,001 kg
13	01340057	Motor support	1	Aluminum		0,330 kg
14	01220046	Screw M5 X 140	4	Galvanized steel		0,024 kg
15	01230603	Disk	1	Stainless Steel		0,229 kg
16	01180455	Mechanical Seal Fixe	1	Nitrile Rubber / Ceramics		0,003 kg
17	01180456	Mechanical Seal Mobile	1	Graphite Steel		0,004 kg
18	01230602	Impeller Jet	1	Stainless Steel		0,024 kg
19	01210077	Ring 25,5 X 12 X 1,5 mm	1	Stainless Steel		0,005 kg
20	01190099	Screw M6 X 16 DIN 912	1	Stainless Steel		0,006 kg
21	01230512	Welded Diffuser for Jet Pump	1	Plastic		0,159 kg
22	01180128	Oring 25,07 x 2,62	1	Borracha Nitrílica		0,000 kg
23	01181007	Oring 164,77 X 2,62	1	Borracha Nitrílica		0,003 kg
24	01230099	Jet 1000 Pump Body	1	Stainless Steel		0,762 kg
25	01190049	Screw M6 X 12 DIN 912	6	Stainless Steel		0,006 kg
26	01181004	Oring 7,65 X 1,78	2	Borracha Nitrílica		0,000 kg
27	01190118	Plug	2	Stainless Steel		0,018 kg
28	01240002	Fan Family 71	1	Plastic		0,029 kg
29	01210017	Ring Fan Family 71	1	Galvanized steel		0,006 kg
30	01240064CB	Shielding Family 71	1	Galvanized steel		0,212 kg
31	01230663	Jet Housing Support Pin	1	Plastic		0,013 kg
32	01190130	Screw M6 X 25 DIN 912	1	Galvanized steel		0,008 kg
33	01240081	Tapo 1"	2	Plastic		0,003 kg
34	01210103	Ring 50 X 12 X 1,5 mm	1	Stainless Steel		0,022 kg
35	01210110	Ring For Impeller Jet	1	Stainless Steel		0,009 kg
36	01181018	Rubber Ati Vibration	2	Rubber		0,000 kg
37	01181006	Ring 3/4" 24 X 13 X 2mm	1	Rubber		0,001 kg



VI			Data	Nome	Tol. Geral:	
V		Desenhou	17/10/2019	Sérgio	DIN 7168-f	
IV		Verificou			Escala/s:	
III					1:2	
II						
I						
N.º	Modificação	Data	Electric Pumps Oliju Pump Assembly JET 1000.80.1			CAD Nº 01010997.iam Nº do Desenho Correspondente
			Substitui:	Acab. Superfície:		Nº do Desenho
			Substituído por:			01010997